

BRIAN JAMES TRAILERS

» Connected to you



T - TRANSPORTER

Professionals choice. Adaptable to the future.

TITAN AANHANGWAGENS



UNITED KINGDOM

T TRANSPORTER



T - TRANSPORTER

Professionals choice

5 5 YEAR
CHASSIS
WARRANTY



T-Transporter represent the accumulated understanding resulting from engagement with professional transporter operators throughout Europe. Brian James Trailers are the 'go to' brand when solid performance and reliability are your benchmarks. **T-Transporter** adds market leading innovation in several new areas, including configurability at any point in the trailers life cycle. The use of light weight, super strength materials along with a full transporter style vehicle restraint system and the fact that every **T-Transporter** trailer can be configured easily to gain vehicle cross loading facilities with an 'off the shelf' option. The strength and durability required to meet this challenge is built in as standard.

Evolution suggests a process of change. With the **T-Transporter** we prefer to think in terms of revolution in the market. The new **T-Transporter** range is fit for professional vehicle transportation naturally, but crucially also allows operators to make use of the most up-to-date transportation equipment and practises. Commercial as well as private transport applications have been catered for. Every operation is simple and efficient. Providing for any eventuality **T-Transporter** can be configured with the ultimate in low loading equipment. Combine the benefits of a hydraulic tilt-bed with long, high grip loading ramps to provide loading angles as low as 5 degrees. Supercars, sports cars, off-roaders or vans - every eventuality is easily and safely catered for.



T TRANSPORTER

T - TRANSPORTER

Standard features

Commercially biased transport trailers are typically required to handle heavy vehicles. Recognising this fact we have ensured that all variants of T-Transporter range have the maximum 3,500 kg gross capacity, whether it's with twin or tri-axes.

There are choices of 10" or 12" wheels on tri-axle variants, with 12" on all twin axles. The T-Transporter range now offers a choice of models with conventional loading ramp operation or a new full width drop down panel. The full width loading panel is offered for those that prefer the convenience of a quick operation and are less focused on carriage of ultra low sports cars, catered for by the loading ramp variants.

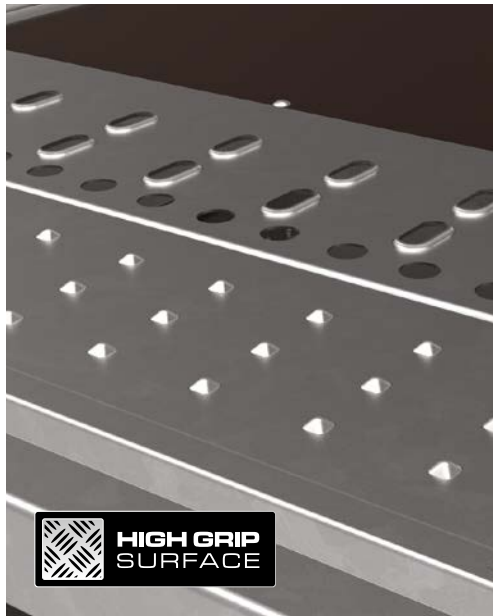
A complete programme of upgrades was conceived for inclusion in the new T-Transporter range. Highly notable examples include a full length side rail with tie-points integrated at regular points along its length. A punched and swaged deck location system, specifically to provide operators with the potential benefit of a circumference wheel strap and quick release wheel chocks (option equipment). This vehicle restraint method is becoming widely accepted by many major European vehicle manufacturers as the default choice.

● LED marker lamps

LED technology, super-bright and reliable lamps are fitted in front (white), sides (amber) and rear outline marker (red/white/amber) positions as well as registration plate illumination.

● Punched steel grip deck

Forming a permanent raised profile. This feature provides permanent positions for location of vehicle restraint straps.



HIGH GRIP SURFACE



GALVANISED FOR LONG LIFE



● Individual lamp array

Stylish, well protected lamps are individually replaceable in the unlikely event of damage. They feature a high quality, automotive bulb holder providing durability and a convenient twist release mechanism for easy bulb access. The sealed lamps are further protected by a bodywork housing preventing direct wheel spray. T-Transporter wiring loom is based on a central junction box for easy maintenance.

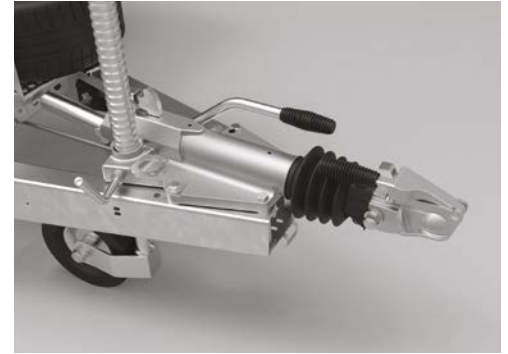


● **Smooth-ride, self damping**
T-Transporters are all designed for long distance and heavy loads. Axles and suspension technology is by AL-KO, Europe's largest trailer equipment manufacturer.

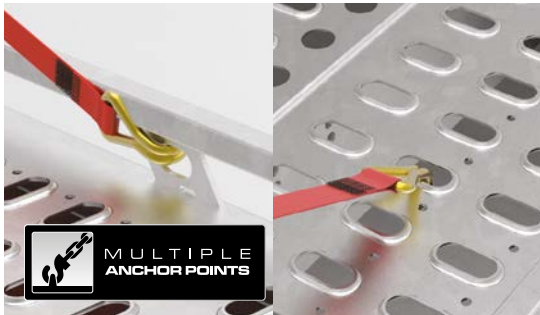
With extensive in-house testing and development facilities in Germany and a history of over 80 years, AL-KO are able to provide an unmatched combination of competence and experience.



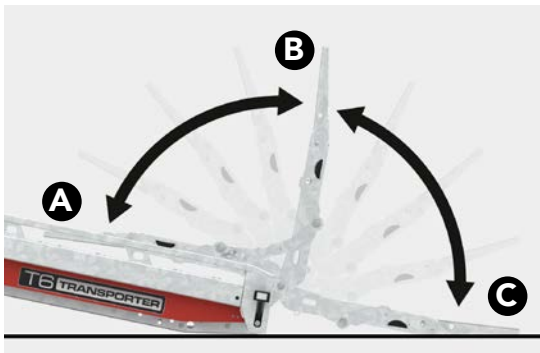
The choice of either a 10" or 12" wheel / tyre size is offered. With 10" suiting low-loading requirements and 12" biased towards a super heavy-duty performance.



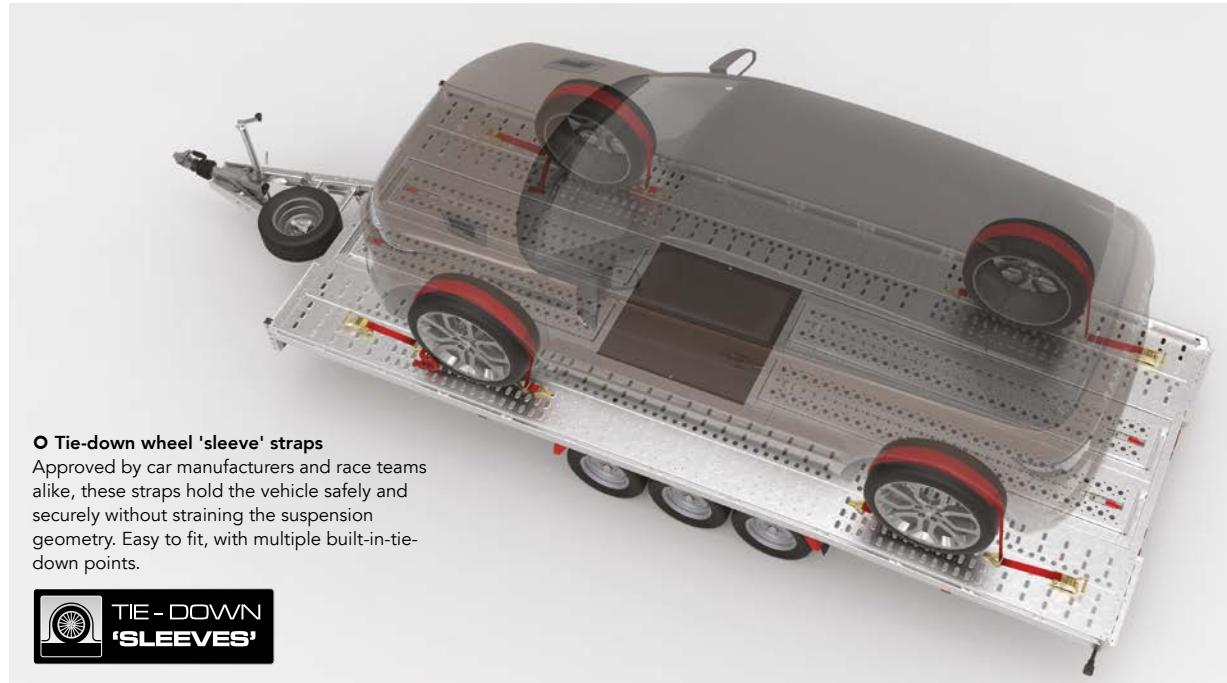
● **Level ride**
Models featuring larger wheels are fitted with a lowered overrun housing draw bar, ensuring that the tow ball is matched to the optimum height for level towing.



● **Multiple anchor points**
Numerous strap attachment points are provided along each side of T-Transporter trailers. Each are located in the chassis providing ultimate strength. For vehicle transport a set of professional wheel 'sling' straps can be used for maximum security. Machine movement is made easy with many tie-down options.



● **Full width tail panel**
As shown here the full width tail panel can be positioned for travel to reduce aerodynamic drag (A), or when loaded (B) and deployed for loading operation (C). It is a quick and convenient feature with the loading angles required for conventional vehicles (please note it is not intended for sports cars).



○ **Tie-down wheel 'sleeve' straps**
Approved by car manufacturers and race teams alike, these straps hold the vehicle safely and securely without straining the suspension geometry. Easy to fit, with multiple built-in tie-down points.



T TRANSPORTER

OPTIONS

Each operation is different, make this trailer your own.

Configuration is a key component in the appeal of T-Transporter trailers. All available options can be configured at your dealer, often right there and then. Each optional item enhances the operation and overall effectiveness of the what is already a leading design.



○ Wheel chocks,
Fully adjustable, quick release wheel chock system engages directly into the trailer chassis within seconds.



○ Hydraulic tilt-bed
Powerful self-contained hydraulic ram powers the tilt-bed operation. Choose your ideal loading ramp solution to go with it.



○ Optional front cross-over ramps.
Loading a towing transporter and it's trailer is quick and easy without needing to unhitch the trailer. All required fixtures for these ramps are provided as standard, meaning you can upgrade at any time in the future.



○ Wheel options
The T-Transporter range is also available with new style alloy wheels in standard Silver or diamond cut Anthracite for both 10" and 12" wheel options (10" shown).

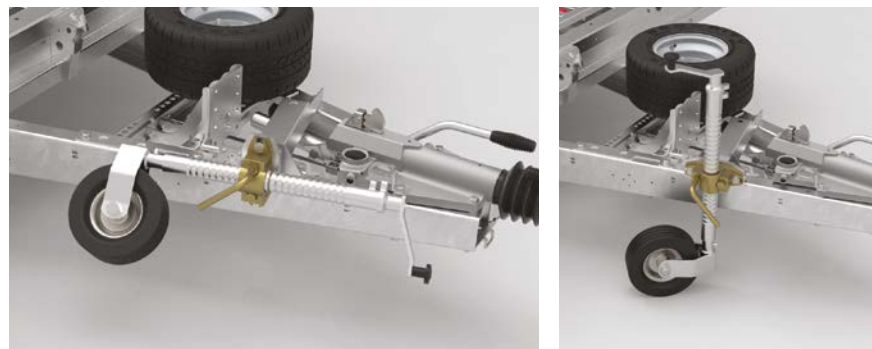


○ Combination, tilt-bed / loading ramps

To provide for any eventuality T-Transporter can be configured with the ultimate in low loading equipment. Combine the benefits of a hydraulic tilt-bed and the advantage of long loading ramps to provide loading angles as low as 5 degrees.

○ Loading ramps

A choice of 1.80m and 2.35m loading ramps to suit your loading angle requirements. Ramps can be used on both flat-bed or tilt-bed operation trailers.



○ Swivel mount jockey wheel
Used in conjunction with the cross-over loading ramps. The jockey wheel rotates 90 degrees to make the process of loading from the trailer onto another platform easier.



○ Tyre rack

Transport of multiple spare wheels and tyres is easily accomplished with a high level tyre rack. Its design places the wheels above average bonnet height, so keeping useful space available on the bed. Safety and security of the transported spare wheels is provided for by a unique strap system and a plastic coated cable with padlock.



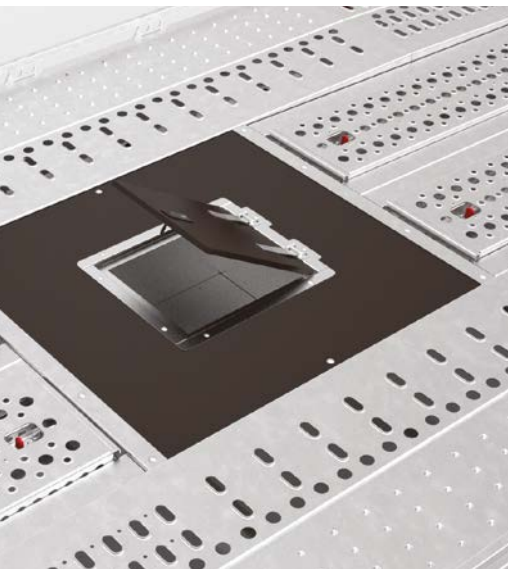
○ Rear support stands

Specify rear stands provide support when loading heavy equipment from the rear. Stands are not required on tilt-bed operation trailers.



○ Front headboard

The primary attraction is protection against road grit damaging the vehicle on-board. The design features a unique full width 'brush' to allow for winch cables and pulleys without interference. In addition a headboard provides a secure stop for alternative loads. Easy removal make it especially useful for transporting long loads.



○ In-deck storage facility

Keep your straps and tools in a convenient place. Latch release catch (not locking).

○ Manual winch, with centre pulley system

A manual winch with auto-brake and a removable handle for free-spool release of the cable. The centrally located and articulated pulley block ensures every loading operation runs smoothly.



○ Electric winch, 12V high capacity

Electric winch, mounted as shown is powered by a standalone 12V power pack, available separately. Full remote control operation with free spool and roller guides.



○ Full LED lighting

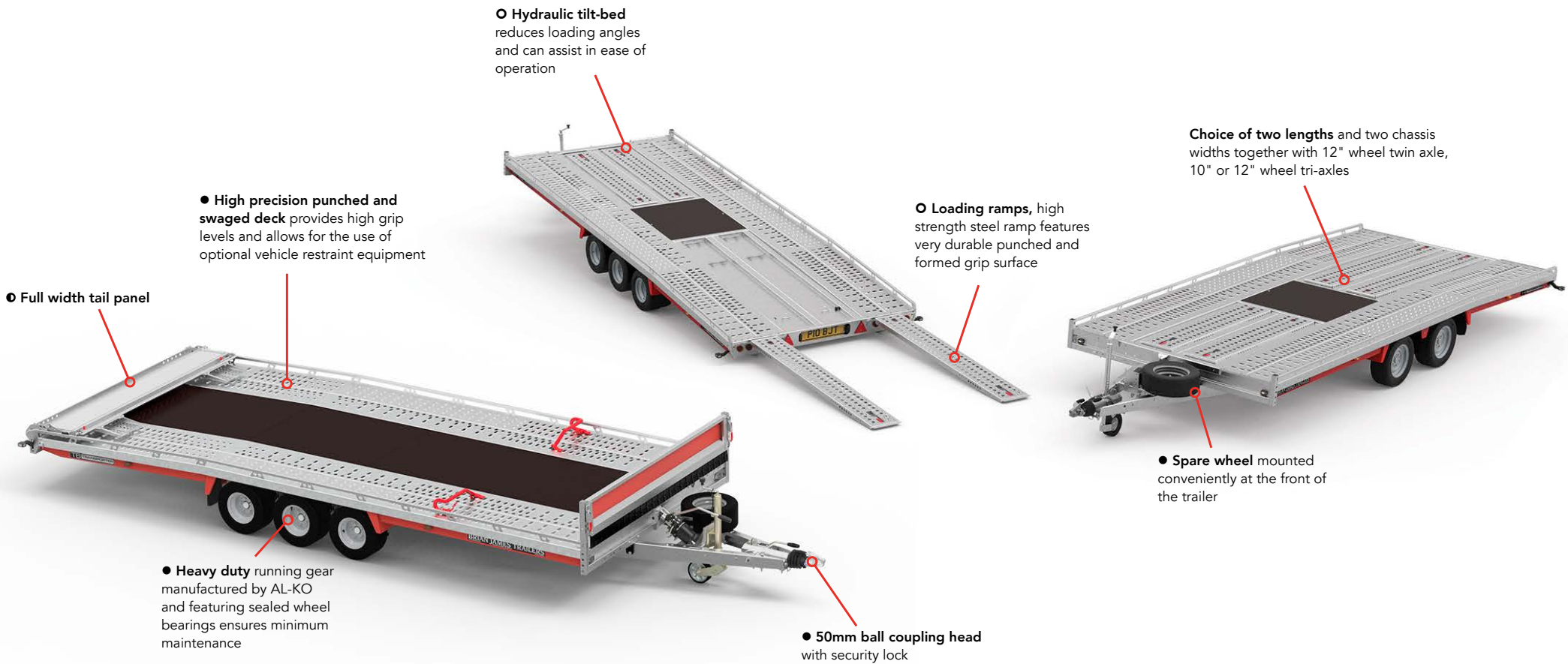
LED lights are both super bright and reliable. 8 x individual rear lamps are replaced with LED items. All other original lamps are LED technology as standard.



LED lamps: Note

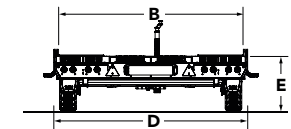
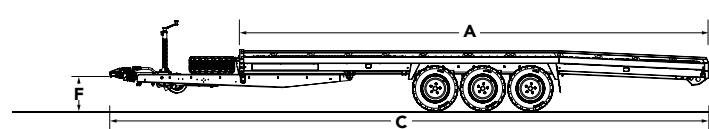
LED lamps are not compatible with all towing vehicles. This may cause unintended consequences. Please check compatibility. A mix of filament and LED lamps is possible.

T TRANSPORTER



TECHNICAL INFORMATION.

MODEL	T4 TRANSPORTER						T6 TRANSPORTER								
	5.00		5.50		5.00		5.50								
LOAD BED LENGTH M A															
CAPACITY															
Gross kg	3,500	3,500	3,500	3,500	3,500	3,500	3,500	3,500	3,500	3,500	3,500	3,500	3,500	3,500	3,500
Load kg	2,670	2,665	2,615	2,668	2,663	2,650	2,618	2,612	2,605	2,601	2,618	2,612	2,605	2,601	2,601
Unladen trailer weight kg	830	835	885	832	837*	850	882	888	895	899	882	888	895	899	899
DIMENSIONS															
Internal bed width m B	2.07	2.22	2.22	2.07	2.22	2.22	2.07	2.22	2.07	2.22	2.07	2.22	2.07	2.22	2.22
Overall trailer length m C	6.56	6.56	7.07	6.56	6.56	6.56	7.07	7.07	7.07	7.07	7.07	7.07	7.07	7.07	7.07
Overall bed width m D	2.13	2.28	2.28	2.13	2.28	2.28	2.13	2.28	2.13	2.28	2.13	2.28	2.13	2.28	2.28
Bed load height m E	0.64	0.64	0.64	0.61	0.61	0.64	0.61	0.61	0.64	0.64	0.61	0.61	0.64	0.64	0.64
Tow-ball height (loaded) m F	0.42	0.42	0.42	0.42	0.42	0.42	0.42	0.42	0.42	0.42	0.42	0.42	0.42	0.42	0.42
RUNNING GEAR															
Axles	2	2	2	3	3	3	3	3	3	3	3	3	3	3	3
Wheel / Tyre size	12" (195/60)	12" (195/60)	12" (195/60)	10" (195/55)	10" (195/55)	12" (195/60)	10" (195/55)	10" (195/55)	12" (195/60)	12" (195/60)	10" (195/55)	10" (195/55)	12" (195/60)	12" (195/60)	12" (195/60)
Spare wheel	●	●	●	●	●	●	●	●	●	●	●	●	●	●	●
Alloy wheels - lightweight (Style B2 Anthracite diamond cut or standard Silver) + safety locking wheel bolts	○	○	○	○	○	○	○	○	○	○	○	○	○	○	○
HYDRAULICS															
Hydraulic tilt-bed operation	○	○	○	○	○	○	○	○	○	○	●	●	●	●	●
LOADING															
High grip punched ramps - Rear, 1.0m (not available on tail panel equipped T6 trailers)	○	○	○	○	○	○	○	○	○	○	○	—	—	—	—
High grip punched ramps - Rear, 1.8m (not available on tail panel equipped T6 trailers)	○	○	○	○	○	○	○	○	○	○	○	—	—	—	—
High grip punched ramps - Rear, 2.3m (not available on tail panel equipped T6 trailers)	○	○	○	○	○	○	○	○	○	○	○	—	—	—	—
High grip punched cross over ramps - Front, 1.8m (not available on tail panel equipped T6 trailers)	○	○	○	○	○	○	○	○	○	○	○	—	—	—	—
Tail Panel, full width	—	—	—	—	—	—	—	—	—	—	●	●	●	●	●
Loading support, kick down legs	○	○	○	○	○	○	○	○	○	○	○	○	○	○	○
Wheel chocks, pair (red), fully adjustable, professional system engages into trailer chassis	○	○	○	○	○	○	○	○	○	○	○	○	○	○	○
High level tyre rack + securing system	○	○	○	○	○	○	○	○	○	○	○	○	○	○	○
HEADBOARD															
Headboard, removable. Brush sealed bottom edge for winch operation.	○	○	○	○	○	○	○	○	○	○	○	○	○	○	○
WINCH															
Manual Winch Kit, auto braked + free spool. Includes central pulley system - Not compatible with cross over loading ramps.	○	○	○	○	○	○	○	○	○	○	○	○	○	○	○
Electric Winch Kit, No Power, 4500lb	○	○	○	○	○	○	○	○	○	○	○	○	○	○	○
Electric Winch Kit, with Power, 4500lb	○	○	○	○	○	○	○	○	○	○	○	○	○	○	○
ACCESSORIES, LIGHTING															
Storage Box	○	○	○	○	○	○	○	○	○	○	○	○	○	○	○
Deck Slick Pads x4	○	○	○	○	○	○	○	○	○	○	○	○	○	○	○
Swivel Jockey Mounting Kit, required for cross over loading operation	○	○	○	○	○	○	○	○	○	○	—	—	—	—	—
Tie-down wheel 'sleeve' straps x 4 - 3,000 DaN; strap over circumference of each vehicle's tyre	○	○	○	○	○	○	○	○	○	○	○	○	○	○	○
Tie-down wheel 'sling' straps x 4 - 4,000 DaN	○	○	○	○	○	○	○	○	○	○	○	○	○	○	○
Tyre Pressure Monitoring System - TPMS. By TyrePal. In car monitor, external sensors	○	○	○	○	○	○	○	○	○	○	○	○	○	○	○
LED Lighting kit	○	○	○	○	○	○	○	○	○	○	○	○	○	○	○
SECURITY															
Lockfast Bar	○	○	○	○	○	○	○	○	○	○	○	○	○	○	○
Datatag - Security identification system	○	○	○	○	○	○	○	○	○	○	○	○	○	○	○
WARRANTY															
5 Year chassis warranty	●	●	●	●	●	●	●	●	●	●	●	●	●	●	●
EXTERIOR															
Coloured body trim - Poppy red	●	●	●	●	●	●	●	●	●	●	●	●	●	●	●
PRODUCTS															
Product code	230-5442	230-5443	230-6443	230-5452	230-5453	230-5463	230-6452	230-6453	230-6462	230-6463	230-6552	230-6553	230-6562	230-6563	230-6563



● Standard. ● Standard on some models. ○ Optional at extra cost.

QUALITY

Brian James Trailers are manufacturers of class leading trailers, since 1979. When you buy a Brian James Trailer you can be absolutely certain that it is designed and constructed to the highest possible standards. Our Engineers combine top-quality craftsmanship with the best materials and first-class presentation. Light but strong, our trailers are crafted to enhance safety, efficiency and durability.

5 Year Chassis Warranty

This Brian James Trailer is provided to you with a non-transferable manufacturers warranty covering the integrity of the chassis for a period of 5 years from the date of first registration.

We warrant that under normal use, outside of accident damage or misuse (meaning driven across unsuitable territory or being overloaded) the chassis will not fatigue or fail to be able to perform its intended duties safely.

Any repair or rectification as a result of a claim under this warranty will be at Brian James Trailers cost and be carried out either at a Brian James Trailers main dealer, or at the factory HQ in Daventry, UK, at the discretion of Brian James Trailers Ltd. A repair may involve removal of the original galvanised surface finish, for which we will not liable to reinstate to its original state.

Brian James Trailers will not be liable for any consequential loss in connection with a claim on this warranty, including recovery fees or transport to or from the place of final repair.



T - TRANSPORTER TRAILER
CONFIGURE TO SUIT





BRIAN JAMES TRAILERS

» Connected to you

NOTES

Specifications are subject to change without notice. Illustrations and photography may depict optional equipment.

www.brianjames.co.uk

© BRIAN JAMES TRAILERS LIMITED
Printed in the UK

Edition T4T6TRUK2019_Q1_2

Brian James Trailers Limited.
Sopwith Way, Drayton Fields Industrial Estate
Daventry, Northampton, NN11 8PB

T + 44 (0)1327 308 833

Brian James Trailers are available by contacting our sales team as well as through an extensive network of official dealers throughout the country.

For more information please call or visit our website.

www.brianjames.co.uk

Dealer information.



Titan aanhangwagens
Brédyk 33
9057 RB Jelum

T: 058 - 257 2445
E: info@titanjelsum.nl

